



# PORTFOLIO

PARTH SHUKLA

Masters of Design, IIT Kanpur



## education

Indian Institute of Technology, Kanpur  
Masters of Design(M.Des) /2012-present.....7.75/10  
Chattrapati Shivaji Institute of Technology, Durg  
B.E (Mechanical Engineering) / 2005-2012.....6.55/10  
St. Xavier's High School, Durg  
12<sup>th</sup> (ISCE) / 2005.....63.6%  
St. Xavier's High School, Durg  
10<sup>th</sup> (ICSE) / 2003.....58%

## experience

Aadityraj Automobiles(Royal Enfield), Raipur  
Works Manager / Nov'11-Mar'12

Hi, I'm Parth Shukla, 1<sup>st</sup> year Masters student in Design Programe, IIT Kanpur. I practice Human Centered Design methodology and wants to come up with solutions that involves research and which affects masses.



+91-7607272229



getparth@iitk.ac.in

# OZCHI 24 HOUR DESIGN CHALLENGE

# THE TRAVEL CALENDAR

Challenge: To design a system that takes advantage of cloud computing, mobile devices and fast mobile networks in order to enhance the way co-located individuals interact collaboratively.

**TRAVEL CALENDAR (who where when)**

Home Profile Schedule trip Search Companion Place  Date dd/mm/yyyy GO log out

Welcome Rajesh Kumar

**New travel schedule**

Place \*

Date \*  day month year SAVE

**View Schedule**

26 September 2012

Travel to Sydney, Australia

The following people would like to travel with you

Su	Mo	Tu	We	Th	Fr	Sa
26	27	28	29	30	31	1
2	3	4	5	6	7	8
9	10	11	12	13	14	15
16	17	18	19	20	21	22
23	24	25	26	27	28	29
30	1	2	3	4	5	6

Aniruddha Sharma **Accept** Reject

Rishikesh Mukherjee **Accepted**

FAQ | About us | Contact us

**TRAVEL CALENDAR (who where when)**

Home Profile Schedule trip Search Companion Place  Date dd/mm/yyyy GO sign up

Schedule your trip > Meet people > Travel together

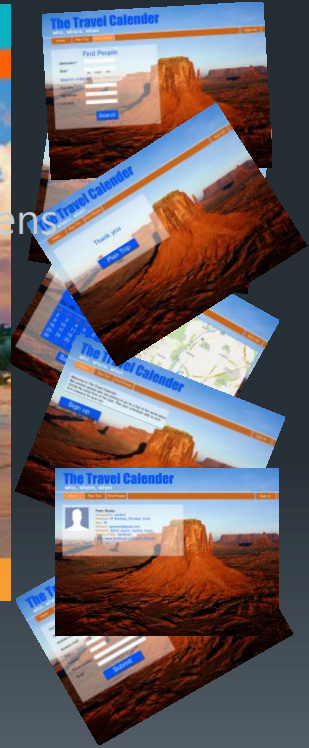
Welcome! Travel Calendar connects people who are planning to go on a trip to the same place at the same time of the year.

LOG IN or TRY AS GUEST

**Advantages of travelling in group**

- Discounts: Hotel offer accomodation at low prices
- Fun: It is always fun to travel with like minded people
- Ease: When you travel in a group your travel expenses will be greatly reduced

FAQ | About us | Contact us

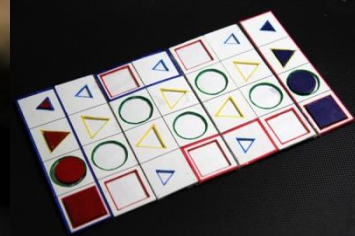
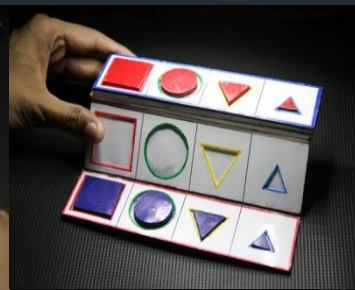


The idea is to bring different people traveling to same place to one point i.e. get to know other person (if they are strangers), by means of online database of travel across the globe

## BOARD GAME DESIGN

# DOVA

DOVA is a foldable compact board game for 2-4 players. Game allows 3 alternate game plays each with varying levels of difficulty. The rules are simple yet the gameplay is challenging.



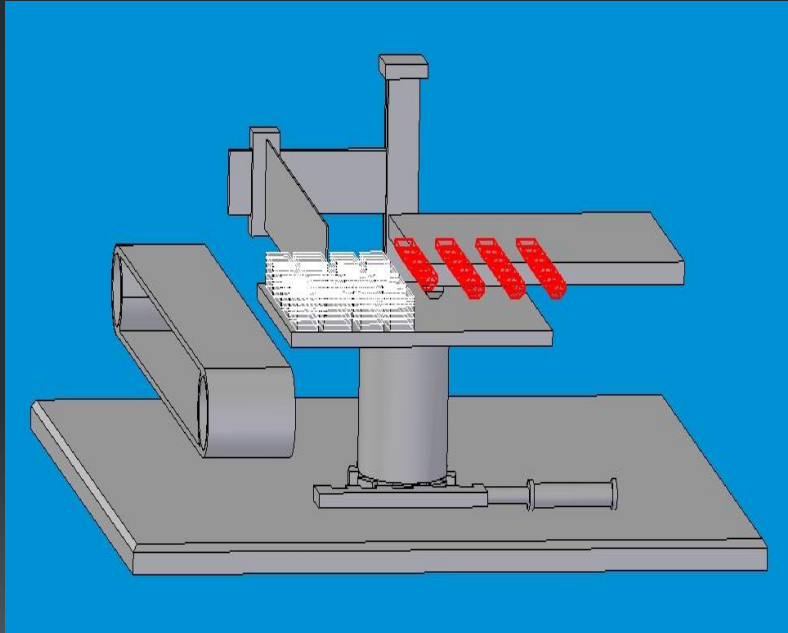
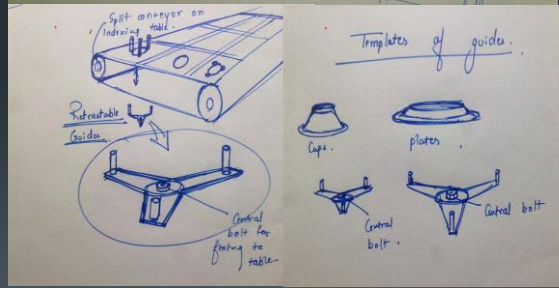
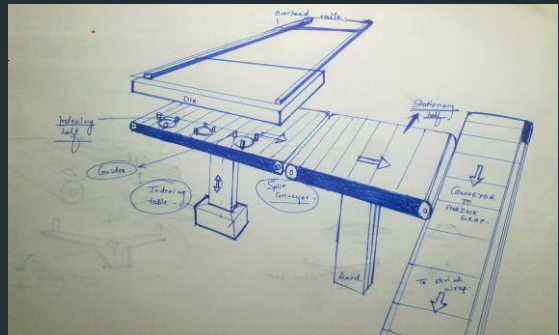
### Design objective

To create a game that can be played by 8-15 year olds, that is challenging as well as mentally stimulating.

# WORKSPACE DESIGN (Ongoing Project)

# AUTOMATION OF MATERIAL HANDLING

Finished products are stacked manually after coming out of Thermoformed Paper Machine which consumes labor, time and money.

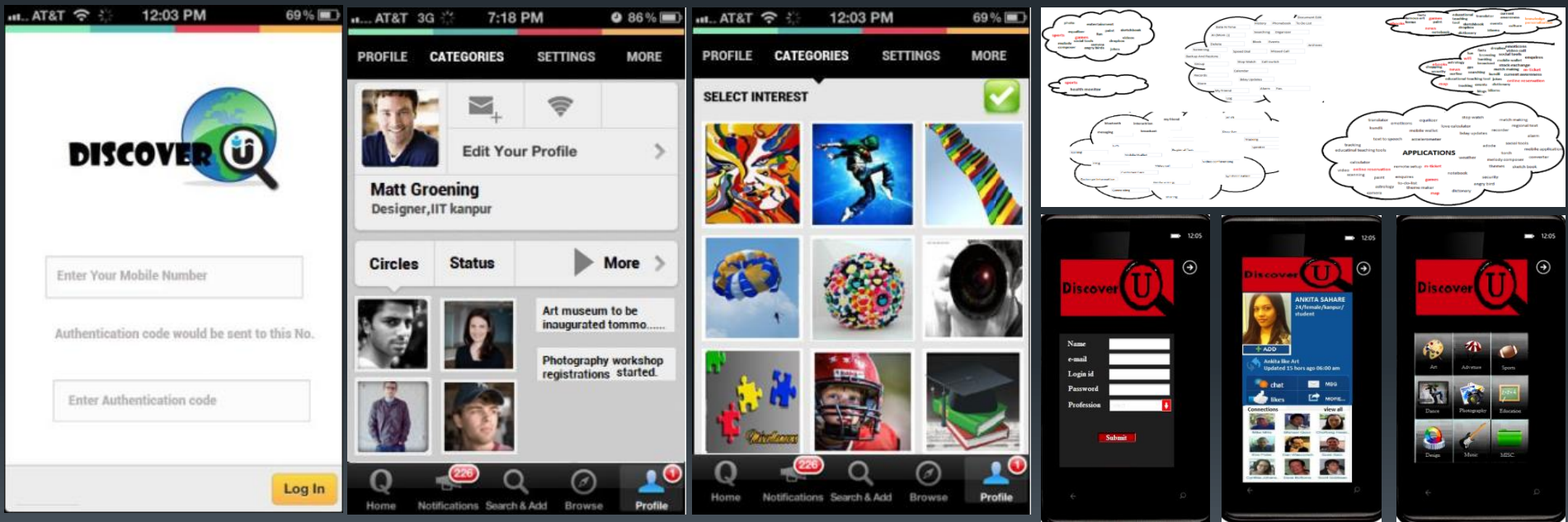


A system that can be used for counting and stacking continuously during passage of product.

# USID-SAMSUNG MOBILE APP DESIGN CHALLENGE

# DISCOVER U

Discover U is a platform to share common interests with unknown people.

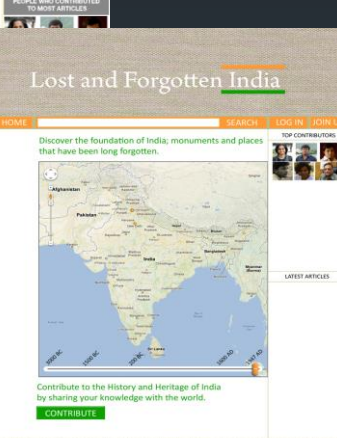
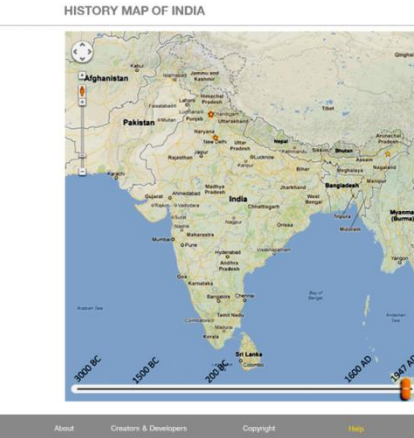
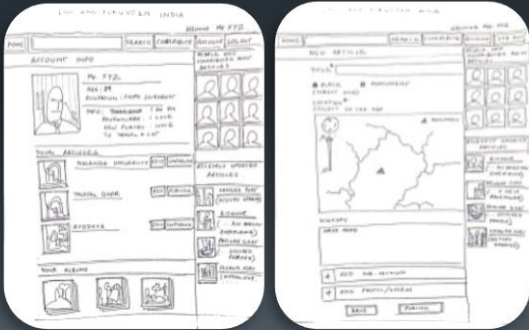
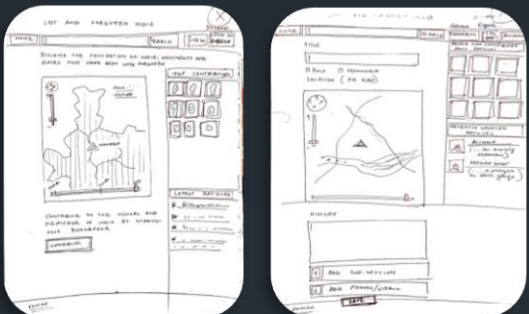


Select your interest from a predefined list or create your own interest group, flexible environment to explore the possibilities on common platform.

# Website Design

# LOST AND FORGOTTEN INDIA

Website that gathers and presents information about lost and forgotten monuments and historical sites for the propagation of history and preservation of heritage of the local population.



Low Fidelity Prototypes

Medium Fidelity Prototypes

# LOST AND FORGOTTEN INDIA



**Lost and Forgotten INDIA**  
let us rejuvenate the past

HOME | BROWSE | SEARCH | WRITE ARTICLE | SIGN UP

Andhra Pradesh, Arunachal Pradesh, Assam, Bihar, Chhattisgarh, Delhi, Goa, Haryana, Himachal Pradesh, Jammu & Kashmir, Karnataka, Kerala, Madhya Pradesh, Maharashtra, Mizoram, Nagaland, Odisha, Punjab, Rajasthan, Tamil Nadu

Discover the lost history and heritage of India. Write and publish your own articles on Historical monuments and sites.

**HISTORY MAP OF INDIA**

3000 BC, 1500 BC, 200 BC, 1800 AD, 1947 AD

**RECENTLY UPDATED ARTICLES**

- BITHOOR** (History updated)
- TIRUVENGALAM** (an amazing place to visit.)
- VILAY GARIH FORT** (ruined in time the majestic fort)
- PESHWA FORT** (built by Nana sahib peshwa...)
- KOMBAGARH** (the last resort)
- CITY OF RUINS** (in the ruins less)

**PEOPLE WHO CONTRIBUTED TO MOST ARTICLES**

About | Creators & Developers | Copyright | Help | Feed back

**Lost and Forgotten INDIA**  
let us rejuvenate the past

SEARCH FOR

SEARCH FOR

SEARCH FOR

SEARCH FOR

**Lost and Forgotten INDIA**  
let us rejuvenate the past

SEARCH FOR

SEARCH FOR

SEARCH FOR

**Lost and Forgotten INDIA**  
let us rejuvenate the past

HOME | BROWSE | SEARCH | WRITE ARTICLE | PROFILE

**MY PROFILE**  
Parthi Shukla  
Male, 24 years, Student

RECENTLY UPDATED ARTICLES

- BITHOOR** (History updated)
- TIRUVENGALAM** (an amazing place to visit.)
- VILAY GARIH FORT** (ruined in time the majestic fort)
- PESHWA FORT** (built by Nana sahib peshwa...)
- KOMBAGARH** (the last resort)
- CITY OF RUINS** (in the ruins less)
- BITHOOR** (History updated)
- TIRUVENGALAM** (an amazing place to visit.)
- TIRUVENGALAM** (in the ruins less)
- VILAY GARIH FORT** (ruined in time the majestic fort)

**Lost and Forgotten INDIA**  
let us rejuvenate the past

SEARCH FOR

SEARCH FOR

SEARCH FOR

**Lost and Forgotten INDIA**  
let us rejuvenate the past

SEARCH FOR

SEARCH FOR

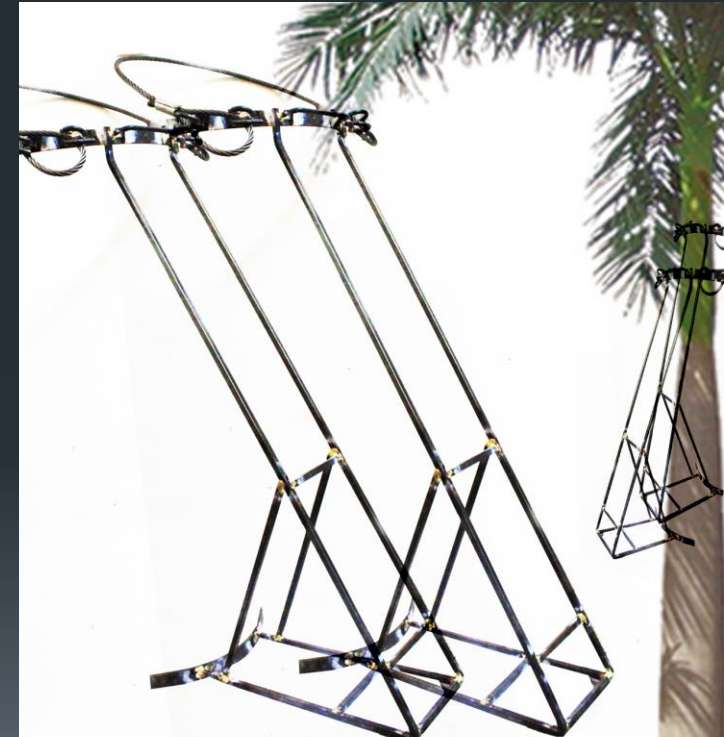
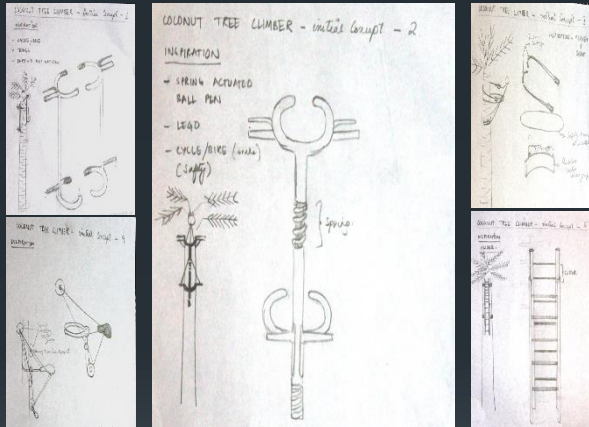
SEARCH FOR





# COCONUT TREE CLIMBER

Challenge is to design Coconut Tree Climber with minimalistic design approach at low cost which ensures safety as well as efficiency.



The frame is well balanced and the weight of the climber is used to lock the frame against the tree.



Parth Shukla

getparth@iitk.ac.in