

INDIAN INSTITUTE OF TECHNOLOGY KANPUR

Central Glass Blowing section

Enquiry No.: CGBS/2015/Feb/01

Opening Date: 30/01/2015

Closing Date: 09/02/2015

We are interested fabricating SS pipe line with needle valve, flame arrestor for LPG, Hydrogen, Oxygen, Argon. (heavy duty) for Scientific Glass Blowing with following specifications:

Specifications SS pipeline for LPG, Hydrogen & Oxygen (Heavy duty).

The prospective supplier should have a good experience of manufacturing and installing similar gas pipeline in recognized laboratories, universities and companies. The supplier should include in the technical bid, a list of various personnel to whom the similar unit has been supplied along with the personnel's affiliation, address and contact numbers. In addition, at least one letter of "satisfactory performance" of the similar unit should be obtained from one of the clients from either a national laboratory or a government institution (e.g. to list a few are IISc, IIT, NCL, NML etc.). This letter from the client should clearly mention that the manifold and SS gas lining has been installed since when and whether it has been performing satisfactorily.

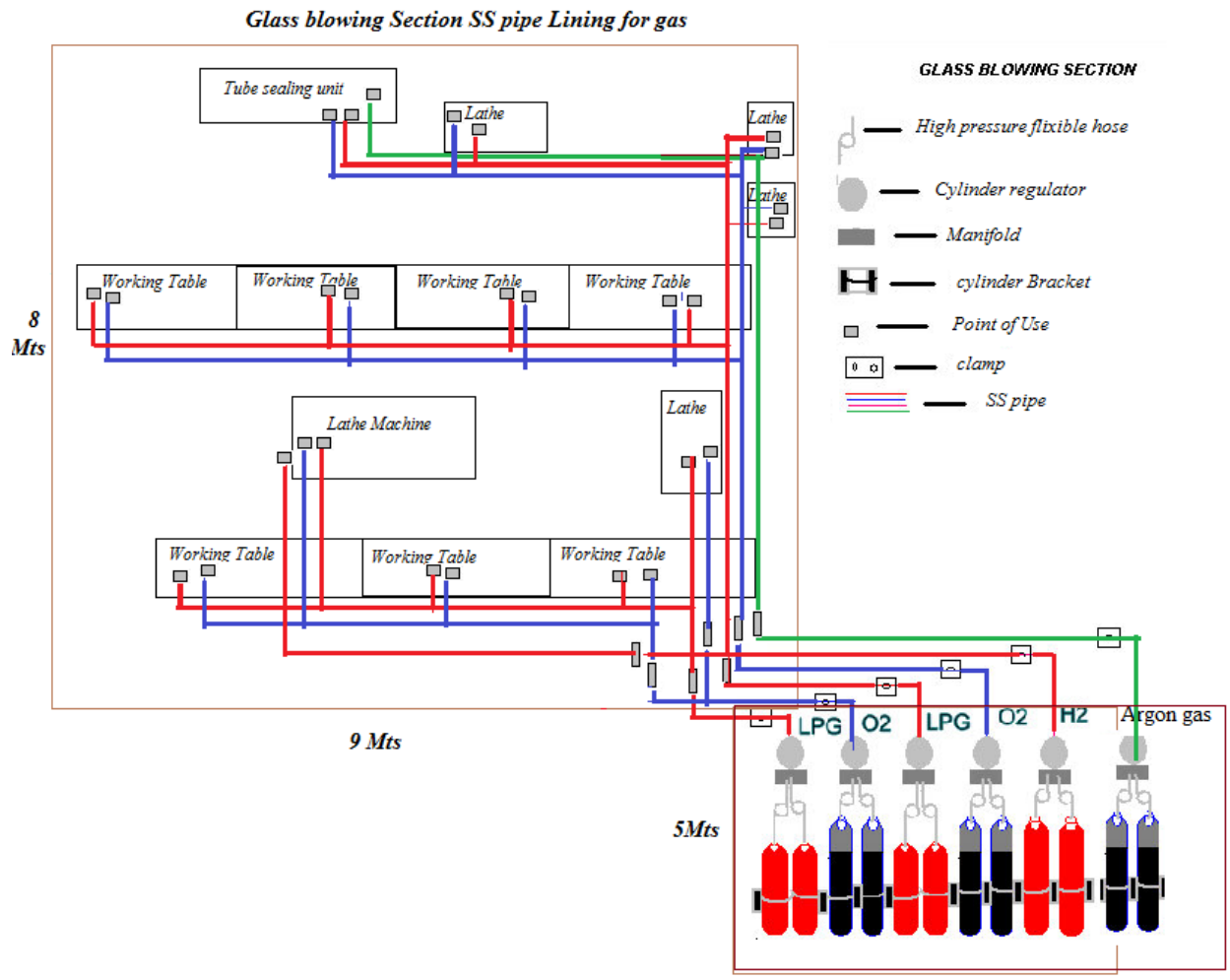
Design, photo or diagram of the manifold and SS gas lining should be given along with the technical bids.

Method of Submitting Quote:

Submit technical and commercial bid in two separate sealed envelopes. The name "technical bid" or "commercial bid" should be clearly mentioned on each envelope. The technical bid should not mention prices. If the technical bid is found to mention prices, the bid will be disqualified. The two sealed bids (technical and commercial) should then be sealed together in another bigger envelop. All the envelopes i.e. the technical bid envelop, price bid envelop and the main envelop should clearly mention the Tender Number at the top.

Warranty: Four year onsite warranty required (from date of installation, against all manufacturing defects and faulty workmanship).

Sr. No.	Product name & Specifications	Qty
1	High pressure gas Manifold System SS 316 with High pressure Isolation wheel valve and MS Stand to hold Manifold & Gas Cylinder for Two cylinders each gases LPG- , H ₂ , O ₂ , Argon (Make Indian)	07 No.
2	Pig Tail to connect Manifold and cylinder with NRV (Make Indian)	14 No
3	Double Stage High flow Gas Cylinder Regulator Diaphragm SS with Safety Valve Inlet Pressure gauge 0 -280 kg/cm ² Outlet Pressure gauge 0 -16 kg/cm ² Connection : ½” OD ferrule Outlet MOC Brass Chrome Plated Make – Swagelok, Parker, Tescom, GEC.	7 No
4	SS 316 Seamless, Inner & Outer Clean ½” OD / 1.2 mm Thickness As per Actual measurement (Make- Sandwik/ Valex)	800 Feet
5	½” Clamp(2 PVC Gorge rail 2 nut 2 LNK Screw) with SS Profile (Make Indian)	220 No
6	Point of use- Regulator with outlet gauge, Ball Valve, Flame arrestor mounted on SS Plate (Fitting Inlet ½” OD ,Outlet nozzle 8mm OD) MOC Brass Chrome Plated (Make -Swagelok, Parker, Tescom,GEC).	30 No
7	Tee ½” OD SS 316	30 No
8	Installation Including MS Cylinder support frame, Manifold, regulators to Point of use including all fitting required Union, ½” to Point of use Outlet Point of use as required, all fitting SS 316	800 feet As per Actual measurement
9	Suraksha Rubber Pipe –Made HP , Bharat gas, Indane gas , Id 6mm	100 Mts



Delivery time: 10 weeks maximum from the date of purchase order.

Payment: 100% payment after successful Testing.

Quotation should be valid for two months. All envelopes should be marked with enquiry number. All quotes should be in Indian Rupees (INR) with total cost.

Quote: Two bit quote (separate technical and commercial bid in sealed separate covers required) should reach the address as below by 09/02/ 2015. till 5:00pm:

Dr. Anandh Subramaniam/Shankar Lahura
 Southern Labs 112 A,B
 Central Glass blowing section (CGBS)
 I.I.T. Kanpur, Kanpur 208016
 Email: anandh@iitk.ac.in, slahura@iitk.ac.in